

PEW / PES

Signal Light



LED



85dB at 1m
(PEW-B only)

Electronic Sound 1
(PEW-B only)

∅82

IP55*

NPN
Open collector

*PES: IP55 with rubber gasket SZ-210 (IP23 without SZ-210)

*PEW: IP54 (IP23 : Using the side wire exit)



Optional
Rubber Gasket
SZ-210

Dome shape LED Signal Light featuring enhanced visibility and maintenance-free operation.

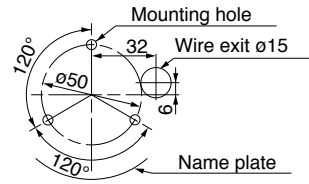
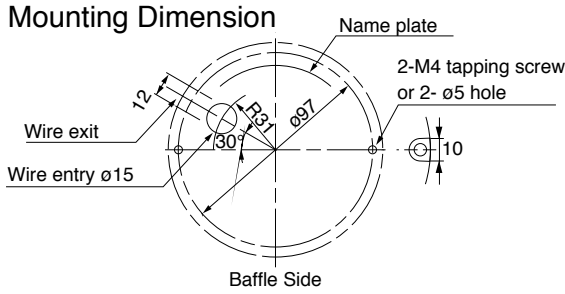
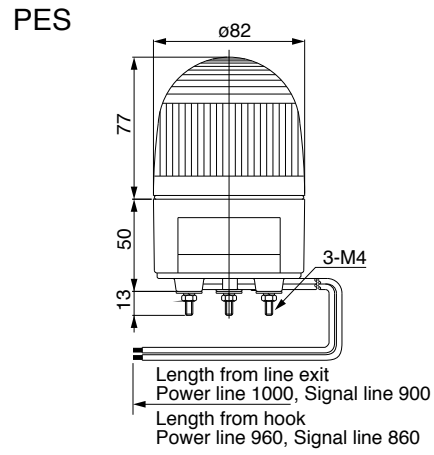
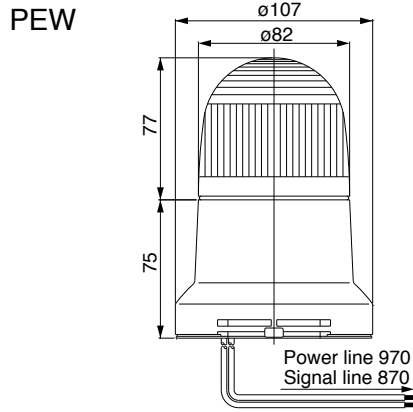
- Newly Developed Triple-reflection System: For enhanced visibility and low power consumption.
- Flashing Cycles: 3 patterns —60/120/180 fpm, selectable by a switch.
- PEW-B type: Built-in audible alarm with adjustable volume up to 85dB at 1m.
- Maintenance-free: LED's power consumption is approx. half of incandescent bulb type (100V/200V AC).
- Installation: Indoors—upright, inverted, sideways; Outdoors—upright only.
- Dome: Superior weather resistant and light translucent acrylic resin.
- PEW: IP54 (IP23 : Using the side wire exit); PES: IP55 (with optional rubber gasket SZ-210, IP23 without SZ-210).
- CE Compliance: 24V AC/DC type ONLY.
- Available Colors: Red, Amber, Green, Blue.

Available by Special Order

- Silver Color Body.
- IP65: PEW type only.
- UL type (E215660).



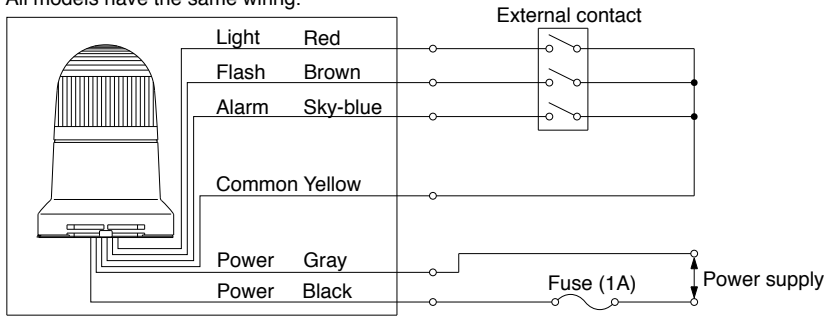
Dimensions (PEW, PES)



(Unit: mm)

Wiring Diagram

All models have the same wiring.



* Skyblue line exists on buzzer type only.

Transistor Operation Example

| | | | |
|------------------|------------------|---------------|----------------|
| Transistor | NPN | Voltage proof | $V_c \geq 35V$ |
| Current capacity | $I_c \geq 100mA$ | Current leak | $I_L \leq 1mA$ |

PEW/PES Type

| Model | Rated Voltage | Power Consumption | Flash Frequency | Mass |
|----------|---------------|-------------------|--------------------------|--------|
| PEW-24 | 24V AC/DC | 2.5W | Approx. 180 times/minute | 0.32kg |
| PES-24 | | | | 0.24kg |
| PEW-24B | | | | 0.34kg |
| PEW-100 | 100V AC | 5.8W | Approx. 120 times/minute | 0.52kg |
| PES-100 | | | | 0.43kg |
| PEW-100B | | | | 0.54kg |
| PEW-120 | 120V AC | 4.9W | Approx. 60 times/minute | 0.52kg |
| PES-120 | | | | 0.43kg |
| PEW-120B | | | | 0.54kg |
| PEW-200 | 200V AC | 5.6W | Approx. 60 times/minute | 0.52kg |
| PES-200 | | | | 0.43kg |
| PEW-200B | | | | 0.54kg |
| PEW-230 | 230V AC | 5.3W | - | 0.52kg |
| PES-230 | | | | 0.43kg |
| PEW-230B | | | | 0.54kg |

How to Order

